

MOS-FET

IGBT

## SWITCHING TIME TESTER スイッチングタイムテスター

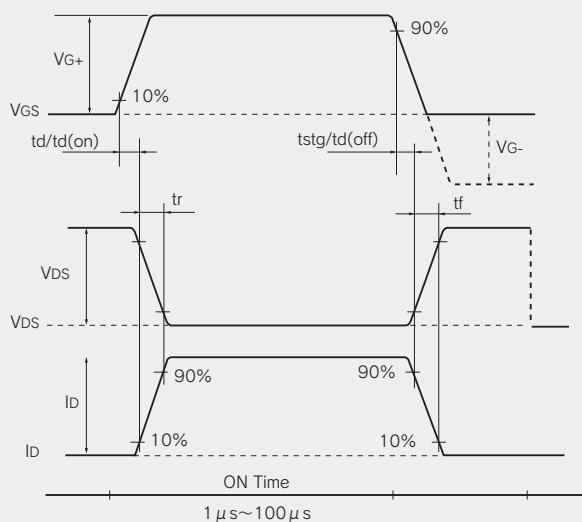
# SWR330A

**300V  
30A**

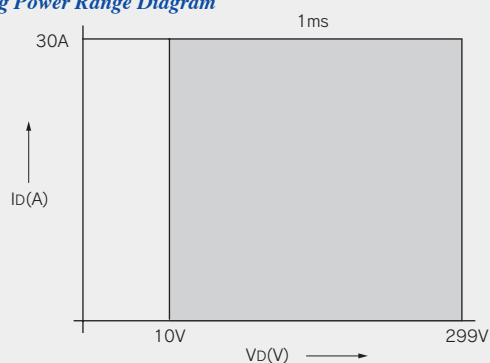
- SWR330A has been designed to measure resistive load switching time for MOS-FETs and IGBT. It judges the go/no-go by taking in a digital oscilloscope waveform by corresponding with software.
- SWR330AはMOS-FET、IGBT用のR負荷スイッチングタイム測定器でソフトウェアとの連動により、オシロスコープの波形を取り込み良否の判定を行います。



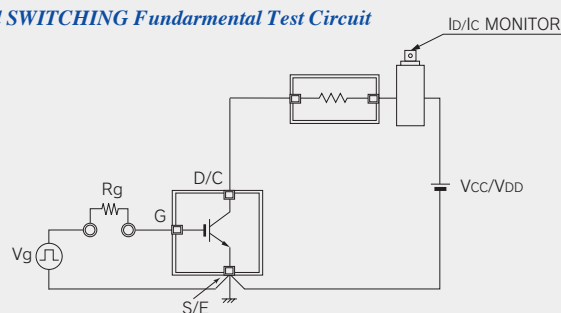
### Measurement Waveform



### Forcing Power Range Diagram



### R-Load SWITCHING Fundamental Test Circuit



MODEL	SWR330A
SETTING RANGE	
MEASURABLE DEVICE	N/P MOS-FET, N/P IGBT
TEST ITEMS	td(on), tr, td(off), tf, Eon, Eoff, Etail
MEASUREMENT RANGE	000ns~999μs
ID	0.1A~30.0A
VDD	01V~300V
VG+/VG-	0.0V~20.0V
ON TIME	1μs~100μs
BINNING	
OPEN /SHORT CHECK	VGF ON : VCE ≥ 1/2 VDD...OPEN VGF OFF : VCE ≤ 1/2 VDD...SHORT
BIN INDICATION	PASS, ERROR, LIMIT-FAIL, OPEN, SHORT
DIMENSIONS & WEIGHT	
MAIN UNIT	430(W)×700(D)×245(H)…47kg
HEAD BOX	280(W)×660(D)×225(H)…20kg