

IPM

IGBT

DIODE

## IPM TEST SYSTEM IPMテストシステム

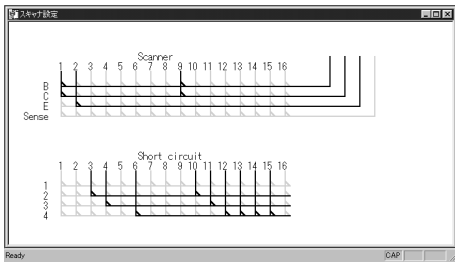
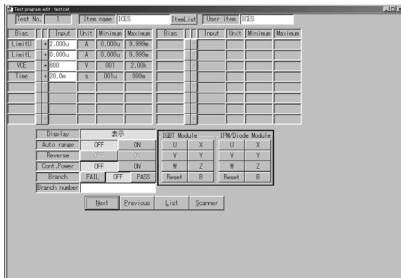
# IPM2060ZA

**2000V  
600A**

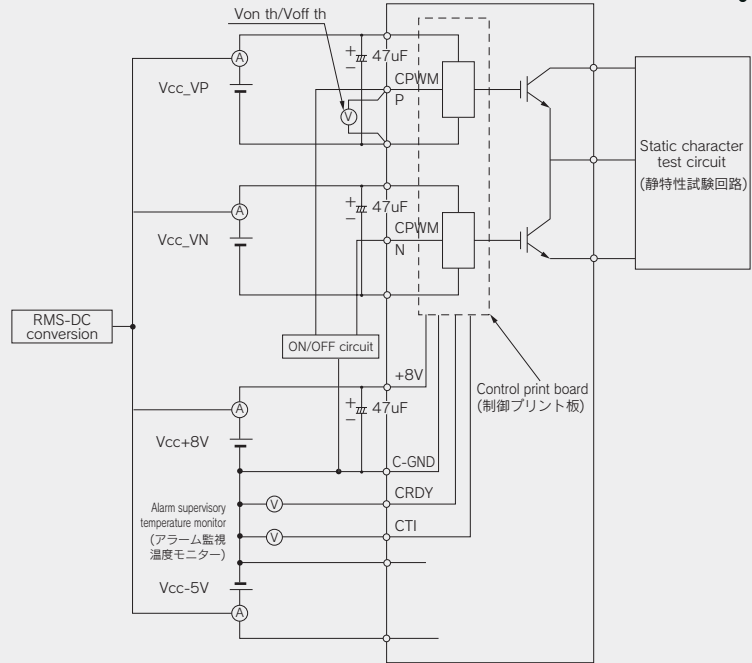

●IPM2060ZA is IPM・IGBT tester that outputs 2kV-600A, and corresponded to measure module which has 7 elements at maximum.

●2kV-600AのIPM・IGBTテスターで、最大7素子入りのモジュール測定に対応しています。

### Software Display



### Fundamental Test Circuit



### MODEL

### IPM2060ZA

MEASURABLE DEVICES

IPM, IGBT, DIODE

VOLTAGE/CURRENT

2000V/600A

TEST PLAN/SORT PLAN

200/100

BIN OUT

24

### TEST ITEMS

IPM	IccVN/IccVP	VIN	±15V or +8V or -5V	VCC	10V~20V
		Crrnt	0.000mA~99.99mA		
	IccVNAC/IccVPAC	VIN	±15V or +8V or -5V	VCC	00.00V~20.00V
		Crrnt	0.000mA~99.99mA		
ICCON	IIN	IIN	1.00mA~9.99mA	VCC	15V FIX
		Current	00.00mA~30.00mA		
ICCOFF	IIN	IIN	1.00mA~9.99mA	VCC	15V FIX
		Current	00.00mA~30.00mA		
Vin(th)ON	IIN	IIN	00.0mA~40.0mA	ICE	100mA FIX
		Voltage	0.000V~9.999V		
VINON	IIN	IIN	1.00mA~9.99mA	VCC	15V FIX
		Voltage	00.00V~15.00V		
VINOFF	IIN	IIN	1.00mA~9.99mA	VCC	15V FIX
		Voltage	00.00V~15.00V		
ICES	VCE	VCE	10.0V~2.00kV	Current	0.000μA~9.999mA
		IC	1.00μA~9.99mA	VCE	000.0V~2.000kV
VCE(SAT)	IC	IC	01.0A~600A	Voltage	0.000V~20.00V
		VF	010A~600A	Voltage	0.000V~20.00V
HRES	IF	IF	0.10A~600A	Resistance	0.000mΩ~9.999mΩ
IGBT		ICES, BVCES, +IGES, -IGES, GShock+, GShock-, +BVGES, -BVGES, VTH, VCE(SAT), VCE(SAT)2, VFES, TempVF, Scont			
DIODE		IR, BVR, VFES			

### DIMENSIONS & WEIGHT

MAIN UNIT

550(W)×860(D)×1700(H)…280kg